

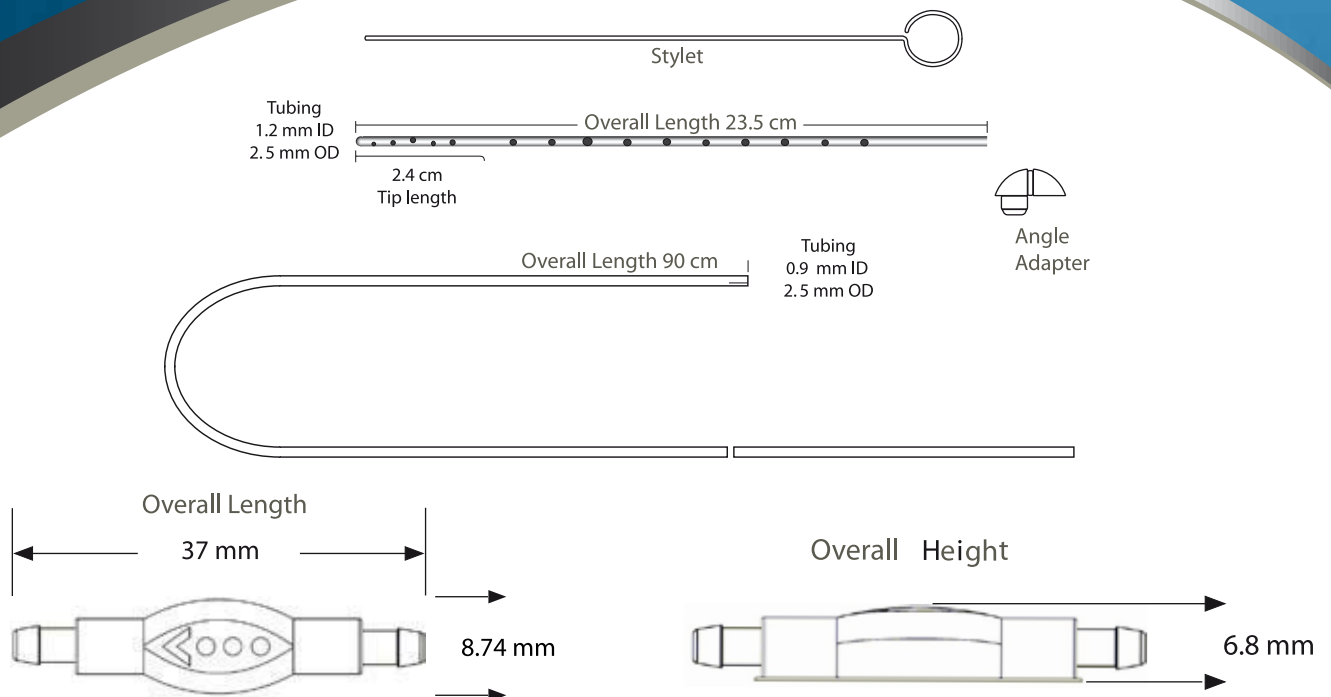
DI VALVE

HYDROCEPHALUS SHUNT



- Diavalve is not affected by tissue encapsulation
- MRI compatible
- Flexible base
- Physiologic flow rate

DIavalve HYDROCEPHALUS SHUNT



Pressure graph (mmH₂O)

Part. N°	VH302	VH202	VH102
Flow rate ml/hr	High mmH ₂ O	Medium mmH ₂ O	Low mmH ₂ O
10	109	74	30
20	122	84	40
30	131	91	44
40	137	95	48
50	150	98	51

